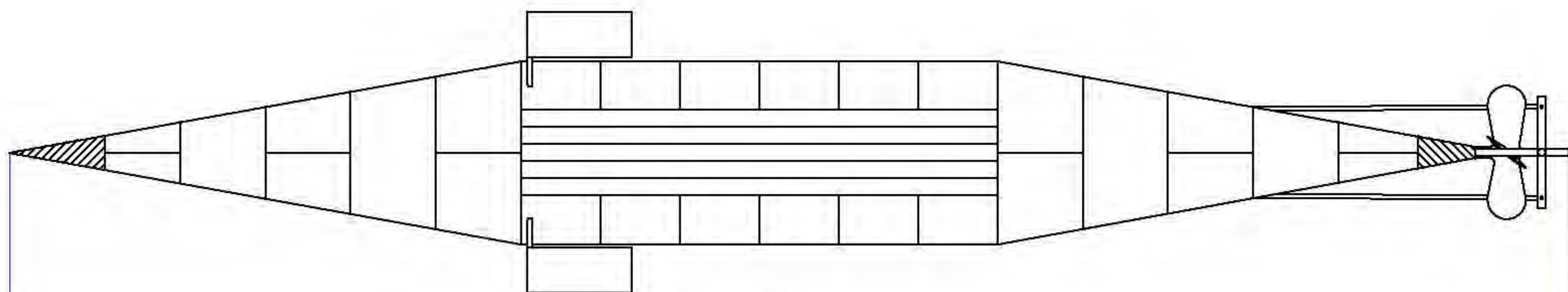
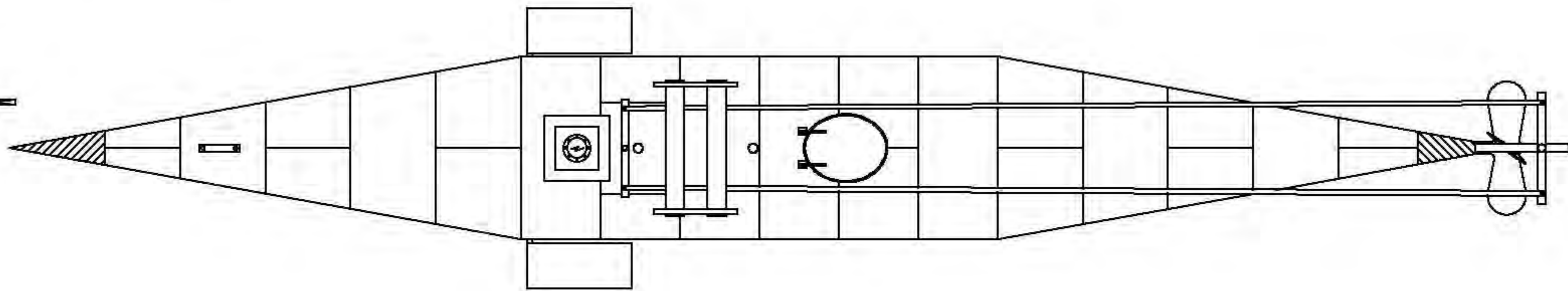


$\varnothing 4' - 1 \frac{9}{32}''$



35'-0"

